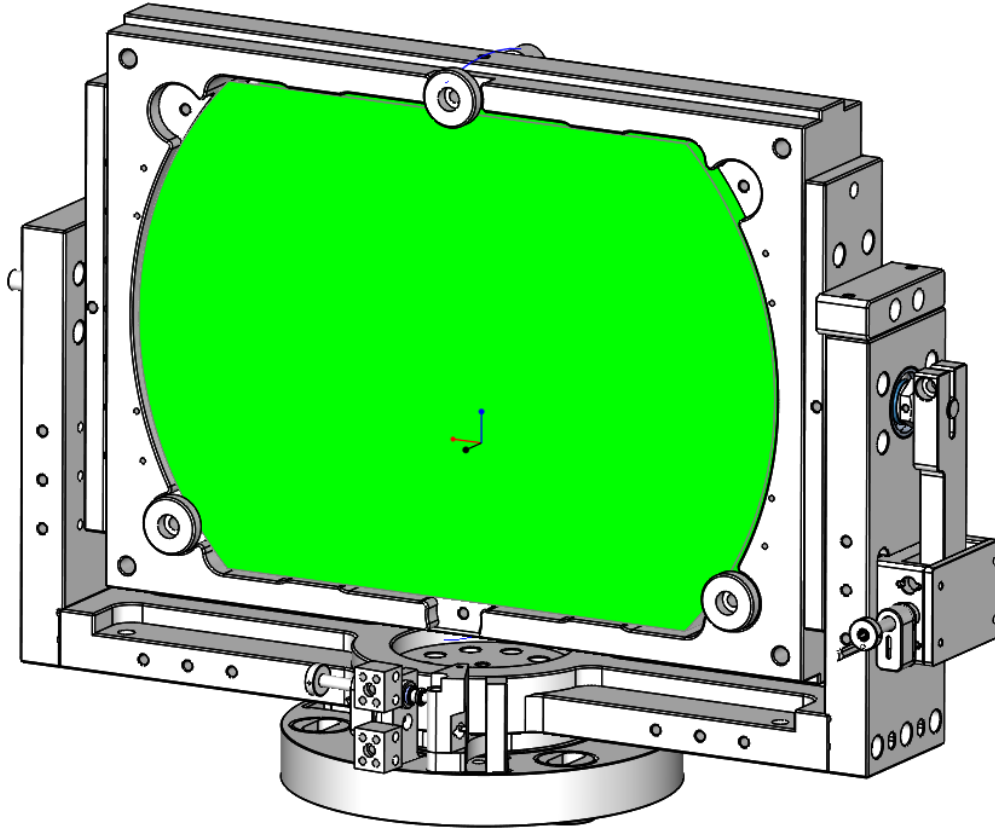
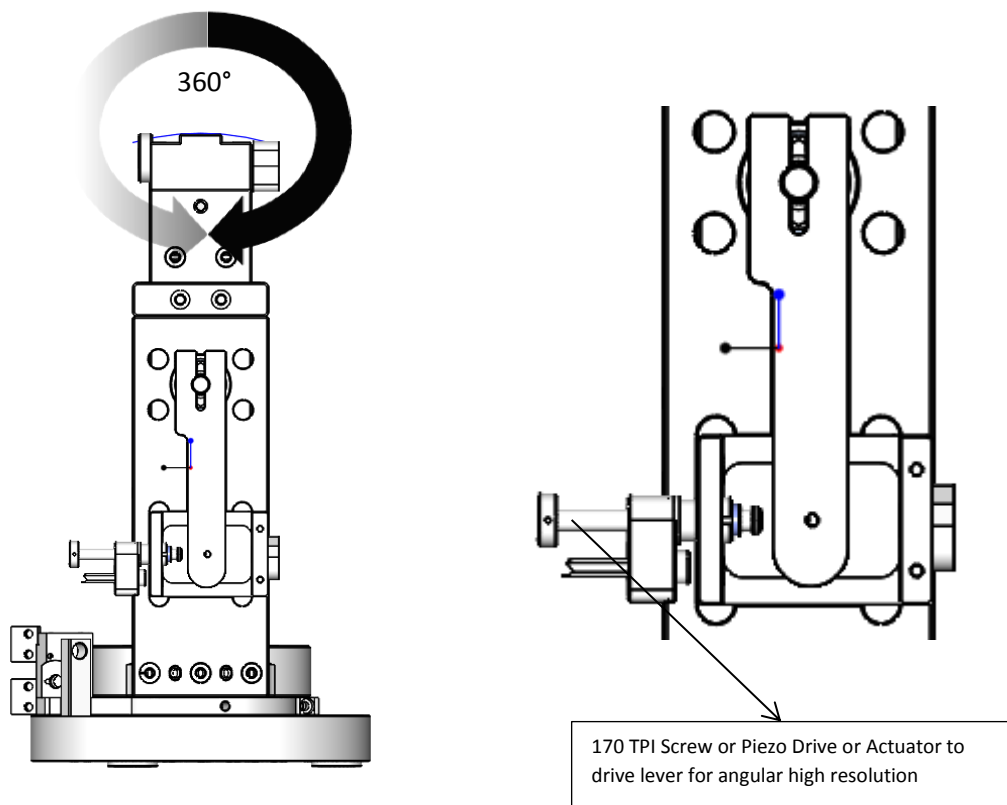
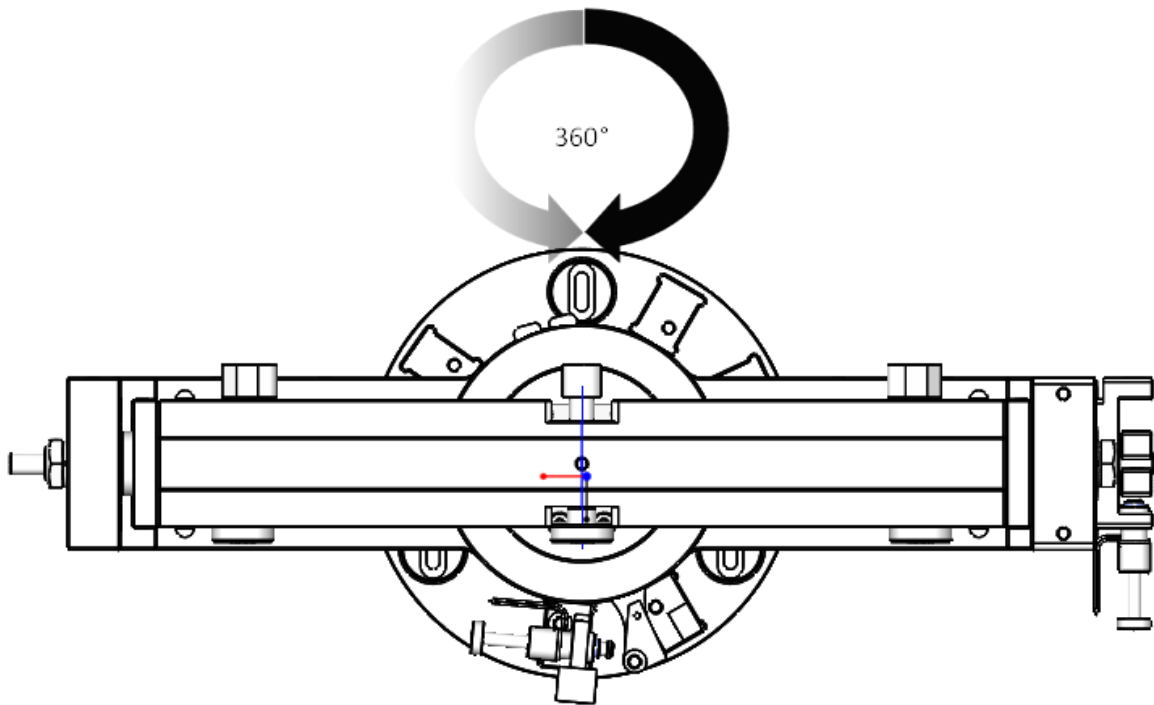


ANTARES[®]-DD

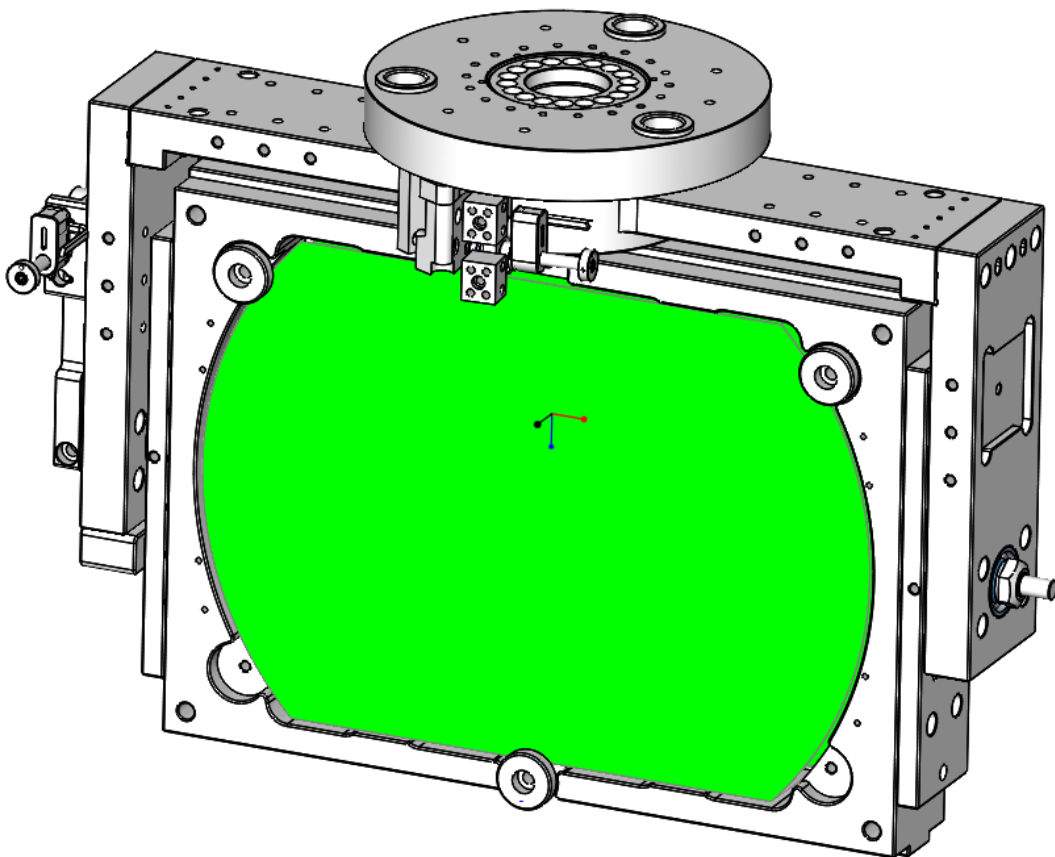
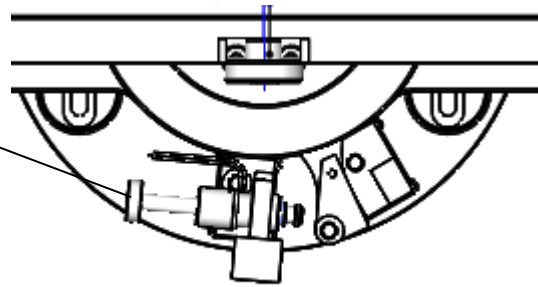


ANTARES[®] DD mount for mirrors of size 350 mm x 250 mm x 55 mm (double D shape)





170 TPI Screw or Piezo Drive or Actuator
for angular high resolution



ANTARES® overhead mounting